



# NEXLER Full Fix Pure

Transparent sealant-adhesive hybrid

## TECHNICAL DATA

Colour	clear																	
Density	1,05 ± 0,05 g/cm <sup>3</sup>																	
Processing and adjustment time	5 - 10 min																	
Film formation time	10 - 12 min																	
Curing speed	2,5 mm/day																	
Bonding capability	approx. 120 N ± 10%																	
Hardness	59 ± 3 Shore'a A																	
Elongation at break	97% ± 20%																	
Max. permissible deformation	20%																	
Compression	approx. 20%																	
Secant modulus of elasticity at tension; for non-structural sealants used in cold climate (-30°C)	≤ 0,9 MPa																	
Elastic recovery	≥ 60%																	
Tensile properties, secant tensile modulus - at +23°C - at -20°C	> 0,6 N/mm <sup>2</sup>																	
Tensile properties at maintained extension	no failure																	
Adhesion/cohesion properties at variable temperatures	no failure																	
Adhesion/cohesion properties at maintained extension after water immersion	no failure																	
Loss of volume	≤ 10%																	
Resistance to flow	≤ 3 mm																	
Thermal resistance after curing	from -40°C to +90°C																	
Consumption	<table border="1"> <thead> <tr> <th colspan="2">Gap dimension</th> <th rowspan="2">A 290 ml cartridge is sufficient for approx. [rm]</th> </tr> <tr> <th>Width [mm]</th> <th>Depth [mm]</th> </tr> </thead> <tbody> <tr> <td>5</td> <td>5</td> <td>11,6</td> </tr> <tr> <td>6</td> <td>6</td> <td>8,1</td> </tr> <tr> <td>8</td> <td>8</td> <td>4,5</td> </tr> <tr> <td>10</td> <td>8</td> <td>3,6</td> </tr> </tbody> </table>	Gap dimension		A 290 ml cartridge is sufficient for approx. [rm]	Width [mm]	Depth [mm]	5	5	11,6	6	6	8,1	8	8	4,5	10	8	3,6
Gap dimension		A 290 ml cartridge is sufficient for approx. [rm]																
Width [mm]	Depth [mm]																	
5	5	11,6																
6	6	8,1																
8	8	4,5																
10	8	3,6																
Application temperature	from +1°C to +30°C																	
Reference document(s)	PN-EN ISO 11600:2004; PN-EN ISO 11600:2004/A1:2011																	

## PROPERTIES

- High adhesion and cohesion
- Permanently flexible
- Free of solvents, isocyanates, silicone
- Resistant to moisture and UV radiation
- Resistant to weather conditions
- Does not run off and binds without shrinkage
- Does not result in metal corrosion
- Resistant to household chemicals, mould and fungi
- Safe in contact with polystyrene foam
- Does not require the use of priming agents
- Does not stain marble
- Very good adhesion to most substrates



100% TRANSPARENT



RESISTANT TO MOULD AND FUNGI



HIGHLY FLEXIBLE

## APPLICATION

- For bonding and grouting panels, thresholds, window sills, decorative mouldings, insulation boards, cork, glass and mineral wool
- For use on substrates of wood, chipboard, plaster, brick, concrete, metal, natural stone slabs (e.g. marble, granite)



FOR INDOOR AND OUTDOOR USE



CARTRIDGE

## PACKAGING

### Poland

- Packaging:  
- cartridge 290 ml
- Quantity per box:  
- 290 ml - 12 pcs.

### Export

- Packaging:  
- cartridge 290 ml
- Quantity per box:  
- 290 ml - 12 pcs.

## METHOD OF USE

### CONDITIONS OF USE

The temperature of the substrate and air during the works should be from 1°C to 30°C. Do not expose the product to strong sunlight or frost during bonding.

### SUBSTRATE PREPARATION

Before applying **Full Fix Pure**, the surface must be properly prepared. The substrate should be clean, free of grease, residues of previous sealants, dust and other substances that reduce adhesion. For deep gaps, in order to achieve the correct expansion joint cross-sections, use a backer rod, e.g. NEXLER Backer Rod. The area to be sealed should be secured with masking tape to avoid soiling of the surface. Remove the tape as soon as the gap is filled.

### PRODUCT CONTROL

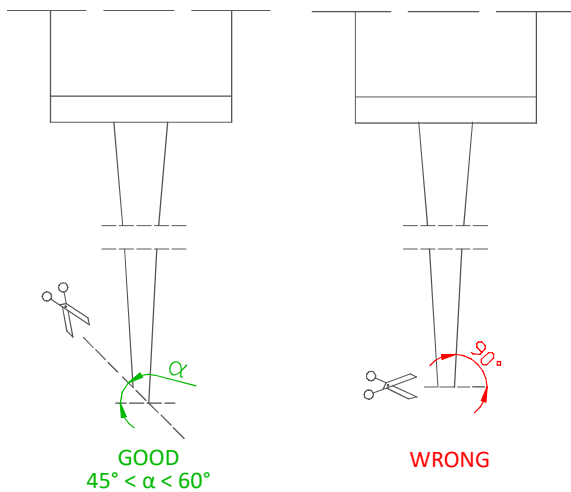
Check the production date on the packaging before use. Do not use the product beyond its shelf life. The product should have a homogeneous consistency.

### PRODUCT PREPARATION

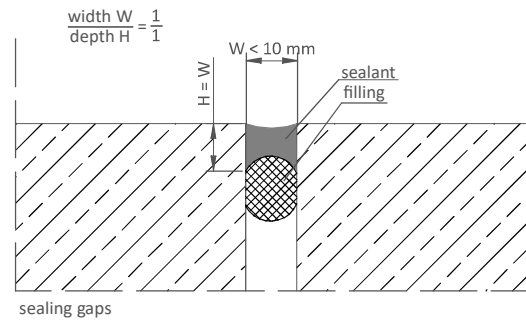
**Full Fix Pure** is a ready-to-use product. If stored at low temperatures, the product should be placed in a warm room for a few hours before use.

### APPLICATION

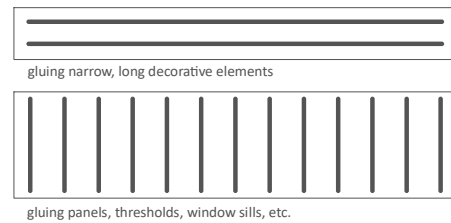
Place the cartridge in the squeeze gun, cut off the end of the cartridge adjusting the opening to the width of the seal, screw on the applicator.



**Full Fix Pure** can be used for fillings gaps of up to 10 mm. The depth of the fill must be equal to its width. Moisten the applied sealant with a soap solution and smooth with a smoothing tool. Profile the joint before the film is formed.



When bonding panels, thresholds, window sills, decorative mouldings, insulation boards, cork, glass and mineral wool, natural stone slabs and similar materials, apply **Full Fix Pure** in parallel strips at intervals of 3 - 5 cm. Apply lengthwise for long and narrow elements (decorative mouldings) and crosswise for wide elements (panels, thresholds).



### CONTROL OF PERFORMANCE

After **Full Fix Pure** is cured, it is recommended to check its adhesion to the substrate. To ensure proper seal, the product must not detach from the sealed surface.

## TOOLS AND TOOL CLEANING

Squeezer.

After works are finished, clean the tools with solvents. Once cured, the product can only be removed mechanically.

## STORAGE AND TRANSPORT

The shelf life of the product is 12 months from production date indicated on the packaging. Store in rooms with a temperature of +5°C to +25°C in tightly sealed, original packaging. Protect from moisture.

## NOTES

Works should be carried out in accordance with technical conditions, manufacturer's instructions, health and safety standards and regulations. For information on how to deal with symptoms of disease, allergies or irritation of the skin or eyes, please refer to the Safety Data Sheet ([www.nexler.com](http://www.nexler.com)).

After works are finished, hand over the remaining content of the product and the container to authorised companies.

## GENERAL RECOMMENDATIONS

Technical data and information on the method of use are given for a temperature of  $23^{\circ}\text{C} \pm 2^{\circ}\text{C}$  and a relative air humidity of 55%. In other conditions, the setting (drying) time may change significantly.

## SAFETY INFORMATION

Flammable liquid and vapour. May cause an allergic skin reaction. Causes serious eye irritation. Harmful to aquatic life with long lasting effects. If medical advice is needed, have product container or label at hand. Keep out of reach of children. Keep away from heat, hot surfaces, sparks, open flames and other ignition sources. No smoking. Wash hands and exposed parts of the body thoroughly after handling. Wear protective gloves/protective clothing/eye protection/face protection. Dispose of contents/container according to the instructions of the manufacturer or person authorized to dispose of waste.

## IMPORTANT INFORMATION

Please refer to the detailed conditions of use of the product before use. We guarantee the quality of our materials as part of our terms of sale and delivery. For buildings with special requirements that are not covered by this manual, we provide our Customers with our own professional advisory service.

The manufacturer has no influence on the improper use of the material, its use for other purposes or under conditions other than those described above. The guarantee only covers the quality of the delivered product. The correct and therefore effective use of the product is not subject to our control.

Neither the manufacturer nor his authorized representative may be held liable for any loss incurred as a result of improper use or storage of the product.

Employees of the company are authorized to provide technical information only and solely in accordance with this technical data sheet. Information other than that contained in this sheet should be confirmed in writing.

If you have any doubts, consult the manufacturer.

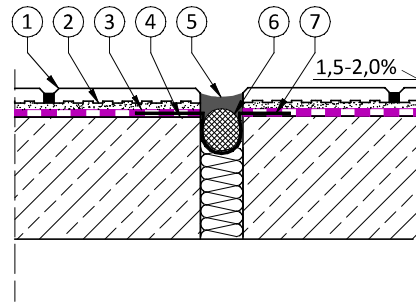
Once we have issued a new technical data sheet, this manual is no longer valid.

## CONTACT DETAILS

NEXLER sp. z o.o.  
 Łużycka 6, 81-537 Gdynia, Poland  
 tel.: +48 58 712 94 44  
 www.nexler.com  
 e-mail: dt@nexler.com

## DETAILS

Detail of an expansion joint in a floor with tile finish



1. Ceramic tile, non-absorbent, frost resistant, jointed with elastic grout CG2 WA
2. Adhesive mortar C2-S1
3. Waterproofing NEXLER AQUAMINERAL 2K Ultra
4. Concrete substrate
5. **NEXLER Full Fix Pure**
6. NEXLER Backer Rod
7. NEXLER Sealing Tape 120/120