



NEXLER Fundament

Bituminous felt for horizontal insulation

TECHNICAL DATA

Type of reinforcement	glass veil
Coating on the top side	fine-grained topping
Coating on the bottom side	foil
Low temperature flexibility	≤ 0°C
Width	0,25 m 0,33 m 0,50 m
Thickness	(2,0 ± 0,2) mm
Reaction to fire	class E
Watertightness: waterproof at a pressure	2 kPa (method A)
Maximum tensile force: - longitudinal extension - transversal extension	500 ± 300 N/50 mm (50 ± 15) % 700 ± 350 N/50 mm (50 ± 15) %
Resistance to tearing: - longitudinal - elongation	100 ± 60 N 100 ± 60 N
Resistance of the joint: - shear • longitudinal joint • transversal joint	300 ± 150 N/50 mm 500 ± 200 N/50 mm
Durability: - durability after artificial ageing/degradation, watertightness - chemical resistance	≥ 2 kPa (method A) acc. to annex A of standard EN 13969
Compliance with the standard	EN 14967:2006 EN 13969:2004, EN 13969:2004/A1:2006

PROPERTIES

- Tight under pressure
- Resistant to being picked up by the wind during installation
- Provides continuity with underfloor insulation
- Ensures stability of masonry walls
- Does not require welding or adhesives
- Ensures quick and easy installation
- Allows connection to vertical foundation waterproofing



APPLICATION

- Horizontal damp proof insulation of buildings and underground parts (type A)
- Especially recommended for applying on foundations for masonry load-bearing and partition walls



PACKAGING

Poland

- Roll length:
 - 0,25 m x 10 m
 - 0,33 m x 10 m
 - 0,50 m x 10 m
- Quantity per pallet:
 - 96 rolls – rolls of width 0,25 m
 - 72 rolls – rolls of width 0,33 m
 - 48 rolls – rolls of width 0,50 m

Export

- Roll length:
 - 0,25 m x 10 m
 - 0,33 m x 10 m
 - 0,50 m x 10 m
- Quantity per pallet:
 - 96 rolls – rolls of width 0,25 m
 - 72 rolls – rolls of width 0,33 m
 - 48 rolls – rolls of width 0,50 m

METHOD OF USE

▪ CONDITIONS OF USE

Making an insulation using **NEXLER Fundament** bituminous felt should be carried out according to the technical design, in accordance with the current building regulations and the detailed guidelines for the design and execution of insulation contained in NEXLER Insulation Systems and the Technical Data Sheet.

The bituminous felt should be installed in ambient temperatures of above +5°C, this requirement applies to the time of day and night. Do not carry out insulation work during strong winds and precipitation.

▪ SUBSTRATE PREPARATION

The concrete substrate should be even, mechanically resistant, with no water stagnation, free of impurities, loose coatings and elements (e.g. rubble) and greasy stains.

The substrate can be primed for example with NEXLER BITFLEX Primer.

▪ PRODUCT CONTROL

The product should not raise any objections. The roll should be evenly rolled, without kinks.

▪ PRODUCT PREPARATION

If it is necessary to make the covering at low ambient temperatures, it is recommended to store the rolls in heated rooms at a temperature of not less than +18°C for 24 hours before installation.

▪ APPLICATION METHOD

NEXLER Fundament bituminous felt should be laid loosely on the concrete substrate. Maintain a bituminous felt overlap of min. 8 cm.

▪ CONTROL OF PERFORMANCE

Before proceeding with works, ensure that the bituminous felt is laid evenly with a minimum overlap of 8 cm.

WARRANTY

The manufacturer NEXLER sp. z o.o. provides the direct purchaser of **NEXLER Fundament** bituminous felt a material warranty for the expected lifespan of the structure.

Details of the guarantee provided to the purchaser are contained in the guarantee card.

TOOLS AND TOOL CLEANING

Bituminous felt uncoiler.

STORAGE AND TRANSPORT

The rolls of **NEXLER Fundament** bituminous felt are protected with packing tapes before unrolling. Each roll has a label with the required data on it. The rolls are placed vertically on wooden industrial pallets and foiled.

During transportation and storage, the rolls must be protected from moisture and exposure to sunlight, and be placed upright in one layer in a way preventing any dislocation or damage.

The bituminous felt rolls must be stored on a flat surface at a distance of at least 120 cm from radiators.

Transportation must be carried out in compliance with applicable shipment safety regulations.

NOTES

Works should be carried out in accordance with technical conditions, manufacturer's instructions, health and safety standards and regulations.

IMPORTANT INFORMATION

Please refer to the detailed conditions of use of the product before use.

We guarantee the quality of our materials as part of our terms of sale and delivery.

For buildings with special requirements that are not covered by this manual, we provide our Customers with our own professional advisory service.

The manufacturer has no influence on the improper use of the material, its use for other purposes or under conditions other than those described above. The guarantee only covers the quality of the delivered product. The correct and therefore effective use of the product is not subject to our control.

Neither the manufacturer nor his authorized representative may be held liable for any loss incurred as a result of improper use or storage of the product.

Employees of the company are authorized to provide technical information only and solely in accordance with this Technical Data Sheet. Information other than that contained in this sheet should be confirmed in writing.

If you have any doubts, consult the manufacturer.

CONTACT DETAILS

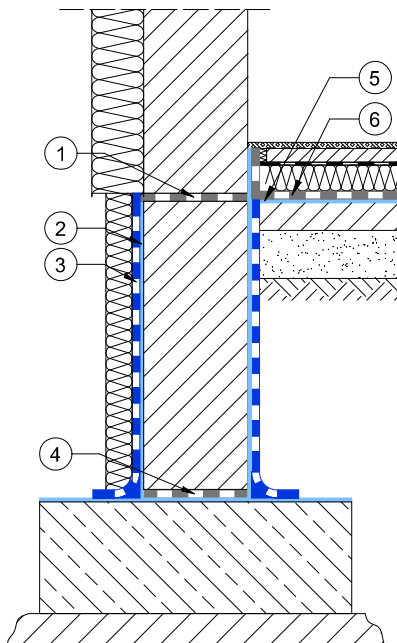
NEXLER sp. z o.o.
 Łużycka 6, 81-537 Gdynia, Poland
 tel.: +48 58 712 94 44
 www.nexler.com
 e-mail: dt@nexler.com

ISSUE DATE

This Technical Data Sheet was issued on 19.02.2025.
 Once we have issued a new Technical Data Sheet, this one is no longer valid.

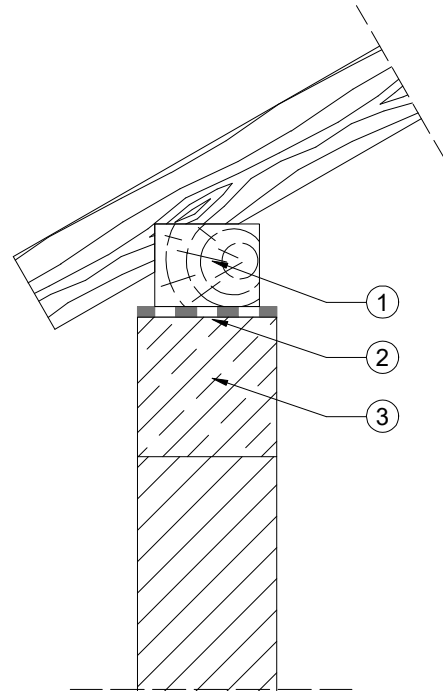
DETAILS

Detail of waterproofing of foundations – damp-proof insulation



1. Damp-proof insulation **NEXLER Fundament**
2. Bituminous primer NEXLER BITFLEX Primer
3. Damp-proof insulation NEXLER BITFLEX 1KP
4. Damp-proof insulation **NEXLER Fundament**
5. Bituminous primer NEXLER BITFLEX Primer
6. Waterproofing of floor made of weldable bituminous felt on the ground

Separation layer between the knee wall and the masonry wall plate



1. Masonry wall plate
2. Separation layer **NEXLER Fundament**
3. Knee wall beam